

IKS-6524/6526 Series

24 and 24+2G-port rackmount managed Ethernet switches



- > Turbo Ring and Turbo Chain redundancy integrating control networks and field networks (Recovery time < 20 ms)
- > Isolated redundant power inputs with 110/220 VAC power supply and standardized power inlets
- > -40 to 75°C operating temperature range
- > Flexible copper/fiber configuration with Gigabit uplink
- > Meets industrially recognized standards for transportation, process automation, and maritime applications



Introduction

The IKS-6500 series fixed-type industrial managed rackmount switches are designed to seamlessly integrate your control networks and field networks. The switches can operate in extreme operating temperatures ranging from -40 to 75°C, and are equipped with up to two AC power inputs for conventional usage as well as advanced Ethernet switching functionality to ensure the reliability of your

communication network. The IKS-6500 switches are designed to meet the rigorous demands of mission critical applications, including traffic control systems (NEMA TS2), networks along railway tracks (EN50121-4), maritime applications (DNV/GL and other maritime certifications), and mining and oil/gas industry applications (Class I Division 2).

Features and Benefits

- IPv6 Ready logo awarded (IPv6 Logo Committee certified)
- IEEE 1588 PTP (Precision Time Protocol) for precise time synchronization of networks
- DHCP Option 82 for IP address assignment with different policies
- Modbus/TCP industrial Ethernet protocol supported
- Turbo Ring and Turbo Chain (recovery time < 20 ms at full load), and RSTP/STP (IEEE 802.1w/D)
- IGMP snooping and GMRP for filtering multicast traffic
- Port-based VLAN, IEEE 802.1Q VLAN, and GVRP to ease network planning
- QoS (IEEE 802.1p/1Q) and TOS/DiffServ to increase determinism
- IEEE 802.3ad, LACP for optimum bandwidth utilization
- SNMPv3, IEEE 802.1X, HTTPS, and SSH to enhance network security
- SNMPv1/v2c/v3 for different levels of network management
- RMON for efficient network monitoring and proactive capability
- Bandwidth management prevents unpredictable network status with "Lock port" to restrict access to authorized MAC addresses
- Port mirroring for online debugging
- Automatic warning by exception through email
- Automatic recovery of connected device's IP addresses
- Line-swap fast recovery
- Configurable by web browser, Telnet/serial console, Windows utility, and ABC-01 automatic backup configurator

Specifications

Technology

Standards:

- IEEE 802.3 for 10BaseT
- IEEE 802.3u for 100BaseT(X) and 100Base FX
- IEEE 802.3ab for 1000BaseT(X)
- IEEE 802.3z for 1000BaseX
- IEEE 802.3x for Flow Control
- IEEE 802.1D for Spanning Tree Protocol
- IEEE 802.1w for Rapid STP
- IEEE 802.1Q for VLAN Tagging
- IEEE 802.1p for Class of Service
- IEEE 802.1X for Authentication
- IEEE 802.3ad for Port Trunk with LACP

Protocols: IGMP v1/v2, GMRP, GVRP, SNMPv1/v2c/v3, DHCP Server/Client, BootP, TFTP, SNTP, SMTP, RARP, RMON, HTTP, HTTPS, Telnet, SSH, Syslog, DHCP Option 66/67/82, Modbus/TCP, LLDP, IEEE 1588 PTP, IPv6

MIB: MIB-II, Ethernet-like MIB, P-BRIDGE MIB, Q-BRIDGE MIB, Bridge MIB, RSTP MIB, RMON MIB Group 1, 2, 3, 9

Flow Control: IEEE 802.3x flow control, back pressure flow control

Switch Properties

Priority Queues: 4

Max. Number of Available VLANs: 64

VLAN ID Range: VID 1 to 4094

IGMP Groups: 256

MAC Table Size: 8 K

Packet Buffer Size: 2 Mbit

Interface

Fiber Ports: 100BaseSFP slot (IKS-6524-8SFP series) or 1000BaseSFP slot (IKS-6526-2GTXSFP series)

RJ45 Ports: 10/100BaseT(X) and/or 10/100/1000BaseT(X) auto negotiation speed

Console Port: RS-232 (RJ45 connector)

System LED Indicators: STAT, PWR1, PWR2, FAULT, MSTR/HEAD, CPLR/TAIL

Mode LED Indicators: LNK/ACT, FDX/HDX, RING PORT, COUPLER PORT, SPEED

Power Requirements

Input Voltage: 110/220 VAC (85 to 264 VAC)

Input Current:

- IKS-6524-F-HV-T: Max. 333/222 mA @ 110/230 VAC
- IKS-6524-F-HV-HV-T: Max. 402/324 mA @ 110/230 VAC
- IKS-6524-8SFP-F-HV-T: Max. 501/295 mA @ 110/230 VAC
- IKS-6524-8SFP-F-HV-HV-T: Max. 555/390 mA @ 110/230 VAC
- IKS-6526-2GTXSFP-F-HV-T: Max. 398/254 mA @ 110/230 VAC
- IKS-6526-2GTXSFP-F-HV-HV-T: Max. 465/350 mA @ 110/230 VAC

Overload Current Protection: Present

Reverse Polarity Protection: Present

Physical Characteristics

Housing: IP30 protection

Dimensions: 440 x 44 x 342.5 mm (17.32 x 1.73 x 13.48 in)

Weight:

IKS-6524 series: 4780 g

IKS-6524-8SFP series: 4850 g

IKS-6526-2GTXSFP series: 4820 g

Installation: 19" rack mounting

Environmental Limits

Operating Temperature: -40 to 75°C (-40 to 167°F), cold start requires min. of 100 VAC at -40°C

Storage Temperature: -40 to 85°C (-40 to 185°F)

Ambient Relative Humidity: 5 to 95% (non-condensing)

Regulatory Approvals

Safety: UL60950-1 (Pending), CSA C22.2 No. 60950-1, EN60950-1 (Pending)

Hazardous Locatoin: UL/cUL Class I, Division 2, Groups A, B, C, D (Pending)

EMI: FCC Part 15, CISPR (EN55022) class A

Maritime: DNV (Pending), GL (Pending), ABS (Pending), LR (Pending), NK (Pending)

Traffic Control: NEMA TS2

Rail Traffic: EN50121-4

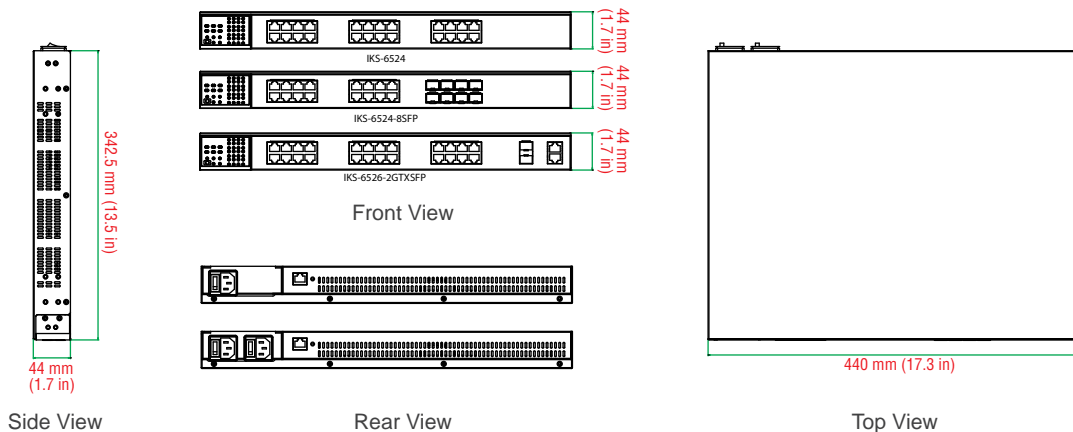
Note: Please check Moxa's website for the most up-to-date certification status.

Warranty

Warranty Period: 5 years

Details: See www.moxa.com/warranty

Dimensions



Ordering Information

Available Models (-40 to 75°C)	Port Interface			Power Supply	
	Gigabit Ethernet	Fast Ethernet		Isolated Power Supply 1	Isolated Power Supply 2
	Combo Port, 10/100/1000BaseT(X) or 1000BaseSFP*	10/100BaseT(X)	100BaseSFP*	HV: 85 to 264 VAC	HV: 85 to 264 VAC
IKS-6524-F-HV-T	–	24	–	1	–
IKS-6524-F-HV-HV-T	–	24	–	1	1
IKS-6524-8SFP-F-HV-T	–	16	8	1	–
IKS-6524-8SFP-F-HV-HV-T	–	16	8	1	1
IKS-6526-2GTXSFP-F-HV-T	2	24	–	1	–
IKS-6526-2GTXSFP-F-HV-HV-T	2	24	–	1	1

*The IKS-6500 series switches support 2 1000BaseSFP slots or 8 100BaseSFP slots. See pages 1-69 and 1-71 for SFP-1G/1FE series Gigabit/fast Ethernet SFP module product information.

Optional Accessories (can be purchased separately)

Power Cords and Adaptors: See Appendix A for details

EDS-SNMP OPC Server Pro: OPC server software that works with all SNMP devices

ABC-01: Configuration backup and restoration tool for managed Ethernet switches, 0 to 60°C operating temperature

SFP-1G Series

1G-port Gigabit Ethernet SFP modules



- > Compliant with IEEE 802.3z
- > Differential LVPECL inputs and outputs
- > TTL signal detect indicator
- > Hot pluggable LC duplex connector
- > Class 1 laser product, complies with EN60825-1



1

Industrial Ethernet Switches > SFP-1G Series

Specifications

Interface

Ethernet Ports: 1

Connectors: Duplex LC Connector or Simplex LC Connector (WDM-type only)

Note: WDM-type SFP modules must be used in pairs (e.g., SFP-1GXXALC and SFP-1GXXBLC)

Optical Fiber

	Gigabit Ethernet												
	SFP-SX	SFP-LSX	SFP-LX	SFP-LH	SFP-LHX	SFP-ZX	SFP-EZX	SFP-10A	SFP-10B	SFP-20A	SFP-20B	SFP-40A	SFP-40B
Wave-length	850 nm	1310 nm	1310 nm	1310 nm	1310 nm	1550 nm	1550 nm	TX 1310 nm, RX 1550 nm	TX 1550 nm, RX 1310 nm	TX 1310 nm, RX 1550 nm	TX 1550 nm, RX 1310 nm	TX 1310 nm, RX 1550 nm	TX 1550 nm, RX 1310 nm
Max. TX	-4 dBm	-1 dBm	-3 dBm	-2 dBm	1 dBm	5 dBm	5 dBm	-3 dBm	-3 dBm	-2 dBm	-2 dBm	2 dBm	2 dBm
Min. TX	-9.5 dBm	-9 dBm	-9.5 dBm	-8 dBm	-4 dBm	0 dBm	0 dBm	-9 dBm	-9 dBm	-8 dBm	-8 dBm	-3 dBm	-3 dBm
RX Sensitivity	-18 dBm	-19 dBm	-20 dBm	-23 dBm	-24 dBm	-24 dBm	-30 dBm	-21 dBm	-21 dBm	-23 dBm	-23 dBm	-23 dBm	-23 dBm
Link Budget	8.5 dB	10 dB	10.5 dB	15 dB	20 dB	24 dB	30 dB	12 dB	12 dB	15 dB	15 dB	20 dB	20 dB
Typical Distance	550 m ^a	2 km ^b	10 km ^c	30 km ^c	40 km ^c	80 km ^c	110 km ^c	10 km ^c	10 km ^c	20 km ^c	20 km ^c	40 km ^c	40 km ^c
Saturation	0 dBm	-3 dBm	-3 dBm	-3 dBm	-3 dBm	-3 dBm	-3 dBm	-1 dBm	-1 dBm	-1 dBm	-1 dBm	-1 dBm	-1 dBm

a. 50/125 μm, 400 MHz * km or 62.5/125 μm, 500 MHz * km @ 850 nm multi-mode fiber optic cable

b. 62.5/125 μm, 750 MHz * km @ 1310 nm multi-mode fiber optic cable

c. 9/125 μm single-mode fiber optic cable

Note: The actual communication distance depends on many factors, including connector loss, cable deployment, and the age of the cabling system. We recommend doing a link budget analysis and reserving a 3 dB margin for such factors.

Environmental Limits

Operating Temperature:

Standard Models: 0 to 60°C (32 to 140°F)

Wide Operating Temp. Models: -40 to 85°C (-40 to 185°F)

Storage Temperature: -40 to 85°C (-40 to 185°F)

Ambient Relative Humidity: 5 to 95% (non-condensing)

Regulatory Approvals

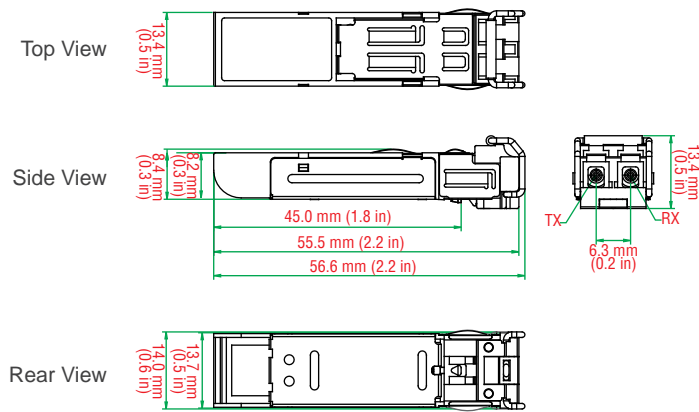
Safety: UL, TÜV

Warranty

Warranty Period: 3 years

Details: See www.moxa.com/warranty

Dimensions



Ordering Information

SFP Modules

Available Models		Port Interface						
Standard Temperature (0 to 60°C)	Wide Temperature (-40 to 85°C)	1000BaseSX, LC Connector, 0.5 km	1000BaseLSX, LC Connector, 2 km	1000BaseLX, LC Connector, 10 km	1000BaseLH, LC Connector, 30 km	1000BaseLHX, LC Connector, 40 km	1000BaseZX, LC Connector, 80 km	1000BaseZX, LC Connector, 110 km
SFP-1GSXLC	SFP-1GSXLC-T*	1	-	-	-	-	-	-
SFP-1GLSXLC	SFP-1GLSXLC-T	-	1	-	-	-	-	-
SFP-1GLXLC	SFP-1GLXLC-T	-	-	1	-	-	-	-
SFP-1GLHLC	SFP-1GLHLC-T	-	-	-	1	-	-	-
SFP-1GLHXL	SFP-1GLHXL-T	-	-	-	-	1	-	-
SFP-1GZXLC	SFP-1GZXLC-T	-	-	-	-	-	1	-
SFP-1GEZXL	-	-	-	-	-	-	-	1

* SFP-1GSXLC-T: -20 to 75°C operating temperature

WDM-type (BiDi) SFP Modules

Available Models		Port Interface					
Standard Temperature (0 to 60°C)	Wide Temperature (-40 to 85°C)	1000BaseSFP, LC Connector, 10 km		1000BaseSFP, LC Connector, 20 km		1000BaseSFP, LC Connector, 40 km	
		TX 1310 nm, RX 1550 nm	TX 1550 nm, RX 1310 nm	TX 1310 nm, RX 1550 nm	TX 1550 nm, RX 1310 nm	TX 1310 nm, RX 1550 nm	TX 1550 nm, RX 1310 nm
SFP-1G10ALC	SFP-1G10ALC-T	1	-	-	-	-	-
SFP-1G10BLC	SFP-1G10BLC-T	-	1	-	-	-	-
SFP-1G20ALC	SFP-1G20ALC-T	-	-	1	-	-	-
SFP-1G20BLC	SFP-1G20BLC-T	-	-	-	1	-	-
SFP-1G40ALC	SFP-1G40ALC-T	-	-	-	-	1	-
SFP-1G40BLC	SFP-1G40BLC-T	-	-	-	-	-	1

The SFP-1G series modules can be used with the following products

- EDS-728/828 series: IM-2GSFP series Gigabit Ethernet interface modules
- EDS-611/619 series: 8+3G/16+3G-port compact modular managed Ethernet switches
- EDS-G509 series: 9G-port full Gigabit managed Ethernet switches
- EDS-518A series: 16+2G-port Gigabit managed Ethernet switches
- EDS-510A series: 7+3G-port Gigabit managed Ethernet switches
- EDS-P510 series: 7+3G-port Gigabit PoE managed Ethernet switches
- IKS-6526-2GTXSFP series: 24+2G-port rackmount managed Ethernet switches
- PT and IKS series: PM-7200-2G/4G series Gigabit Ethernet interface modules
- EDS-G308 series: 8G-port full Gigabit unmanaged Ethernet switches
- EDR-G903 series: Industrial Gigabit Firewall/VPN secure router
- IMC-101G series: Industrial Gigabit media converters

SFP-1FE Series

1-port fast Ethernet SFP modules



- > Compliant with IEEE 802.3u
- > Differential PECL inputs and outputs
- > TTL signal detect indicator
- > Hot pluggable LC duplex connector
- > Class 1 laser product; complies with EN60825-1



1

Industrial Ethernet Switches > SFP-1FE Series

Specifications

Interface

Ethernet Ports: 1
Connectors: Duplex LC Connector

Optical Fiber

	Fast Ethernet		
	SFP-M	SFP-S	SFP-L
Wavelength	1300 nm	1310 nm	1550 nm
Max. TX	-18 dBm	0 dBm	0 dBm
Min. TX	-8 dBm	-5 dBm	-5 dBm
RX Sensitivity	-34 dBm	-34 dBm	-34 dBm
Link Budget	26 dB	29 dB	29 dB
Typical Distance	4 km ^a	40 km ^b	80 km ^b
Saturation	0 dBm	-3 dBm	-3 dBm

a. 50/125 μm or 62.5/125 μm, 800 MHz * km @ 1300 nm multi-mode fiber optic cable
b. 9/125 μm single-mode fiber optic cable

Environmental Limits

Operating Temperature: -40 to 85°C (-40 to 185°F)
Storage Temperature: -40 to 85°C (-40 to 185°F)
Ambient Relative Humidity: 5 to 95% (non-condensing)

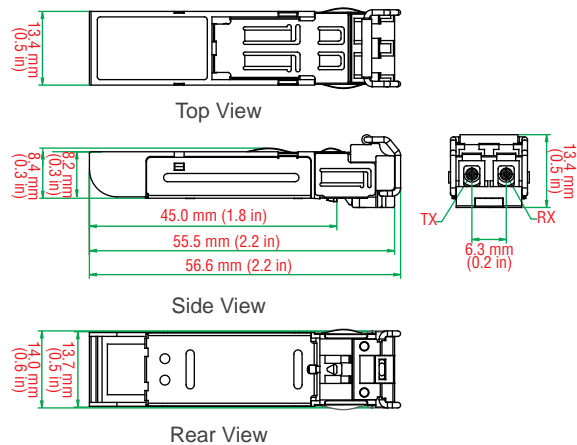
Regulatory Approvals

Safety: UL, TÜV

Warranty

Warranty Period: 3 years
Details: See www.moxa.com/warranty

Dimensions



Ordering Information

Available Models	Port Interface		
	100BaseFX, Multi-mode, LC Connector, 4 km	100BaseFX, Single-mode, LC Connector, 40 km	100BaseFX, Single-mode, LC Connector, 80 km
SFP-1FEMLC-T	1	-	-
SFP-1FESLC-T	-	1	-
SFP-1FELLC-T	-	-	1

The SFP-1FE series modules can be used with the following products

- EDS-611/619 series: 8+3G/16+3G-port compact modular managed Ethernet switches
- EDS-G509 series: 9G-port full Gigabit managed Ethernet switches
- EDS-G308 series: 8G-port full Gigabit unmanaged Ethernet switches
- EDS-P510 series: 7+3G-port Gigabit PoE managed Ethernet switches
- IKS-6524-8SFP series: 24-port rackmount managed Ethernet switches
- PT and IKS series: PM-7200-8SFP fast Ethernet interface modules
- EDR-G903 series: Industrial Gigabit Firewall/VPN secure router